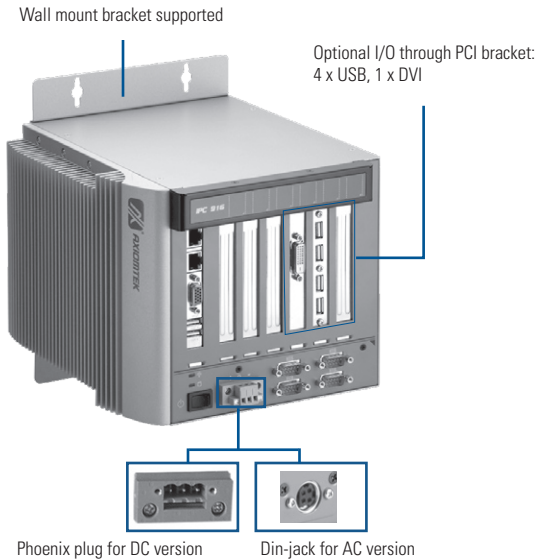


IPC916-211-FL

6-slot Fanless System with Socket P (478-pin)
Intel® Core™2 Duo Processor up to 2.53 GHz,
Intel® GM45 Chipset, PCIe and PCI Slots



Features

- Socket P (478-pin) for Intel® Core™2 Duo/Celeron® M processor
- Fanless operation
- Intel® GM45 + ICH9M chipset
- Supports 6 expansion slots
- Two 2.5" SATA HDD drive bay
- DC to DC power supply supports 10V ~ 30V
- Compact & front I/O design



▲ Rear view



Specifications

Standard Color	Sliver	
Construction	Aluminum extrusion heavy-duty cold-rolled steel, IP30	
System Board	SHB211VGGA	
Processor System	CPU Level	Socket P (478-pin) for Intel® Core™2 Duo/ Celeron® M processor
	Max. Speed	2.53 GHz
	Front Side Bus	667/800/1066 MHz
	Chipset	Intel® GM45 + ICH9M
System Memory	2 x 204-pin DDR3 800/1066 SO-DIMM socket, up to 8 GB	
I/O Interface-Front	ATX power on/off switch	
	1 x remote power on/off switch	
	2 x USB 2.0	
	3 x RS-232 (COM 2/3/4)	
	1 x RS-232/422/485 (COM 1)	
	2 x 10/100/1000Mbps Ethernet 1 x VGA	
Expansion Interface	HAB107: 2 PCI & 3 PCIe x1 & 1 PCIe x16	

Storage	2 x 2.5" SATA HDD
	1 x onboard CompactFlash™ socket
System Indicators	1 x power on/off, 1 x HDD
Power Supply	DC ATX 150W:
	Input : 10 ~ 30VDC
	Output: +5V @ 11A, +3.3V @ 5A, +12V @ 9A, -12V @ -150mA, 5Vsb @ 2A
	AC-DC power adapter:
	Input: 100 ~ 240VAC
	Output: 19V @ 7.89A
Operating Temperature	0°C ~ +45°C (+32°F ~ +104°F) (with W.T. HDD)
Storage Temperature	-20°C ~ +80°C (-4°F ~ +113°F) (with W.T. HDD)
Humidity	10% ~ 90%, non-condensing
Dimensions	212 mm (8.4") (W) x 248 mm (9.8") (D) x 185 mm (7.3") (H)
Weight (net/gross)	5.68 kg (12.52 lb) / 6.82 kg (15.04 lb)
Certification	CE

Ordering Information

PCI+PCIe Version

IPC916-211-FL-HAB107-DC (P/N: E26G916100)	6-slot fanless system with socket P Intel® Core™2 Duo, PCI & PCIe slots, DC-in ATX 150W P/S
IPC916-211-FL-HAB107-AC (P/N: E26G916101)	6-slot fanless system with socket P Intel® Core™2 Duo, PCI & PCIe slots, DC-in ATX 150W P/S and AC-DC 150W power adaptor and US power cord

*Specifications and certifications are based on options and may vary.

Power Protection

AC Version

OVP (over voltage protection)
OTP (over temperature protection)
OPP (over power protection)
SCP (short circuit protection)

DC Version

OVP (over voltage protection)
SCP (short circuit protection)
OCV (over current protection)

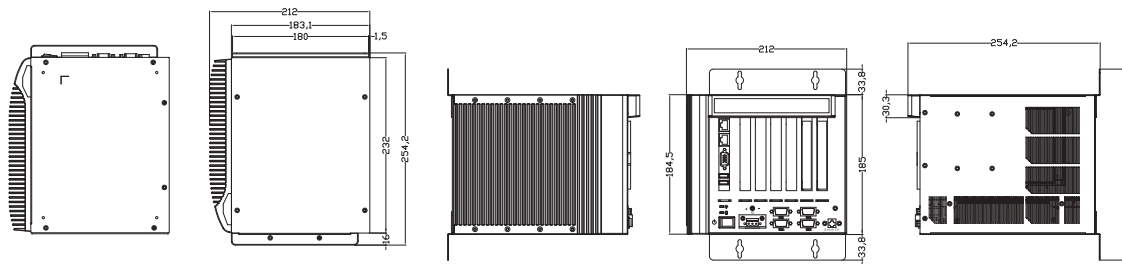
Optional Items

4-port USB cable with bracket
 AX93221-24/48: DVI card
 40P-40P LVDS cable
 DVI bracket for AX93221
 2.5" SATA HDD: 250 GB, 320 GB, 500 GB
 Intel® Core™2 Duo processor: T9400 (2.53 GHz)
 Intel® Core™2 Duo processor: T9300 (2.5 GHz)
 Intel® Core™2 Duo processor: T7500 (2.2 GHz)
 Intel® Celeron® processor: 575 (2 GHz)
 DDR3 SODIMM: 1 GB, 2 GB
 CompactFlash™: 2 GB, 4 GB, 8 GB
 Embedded OS: XPE-SP3 OS image and license

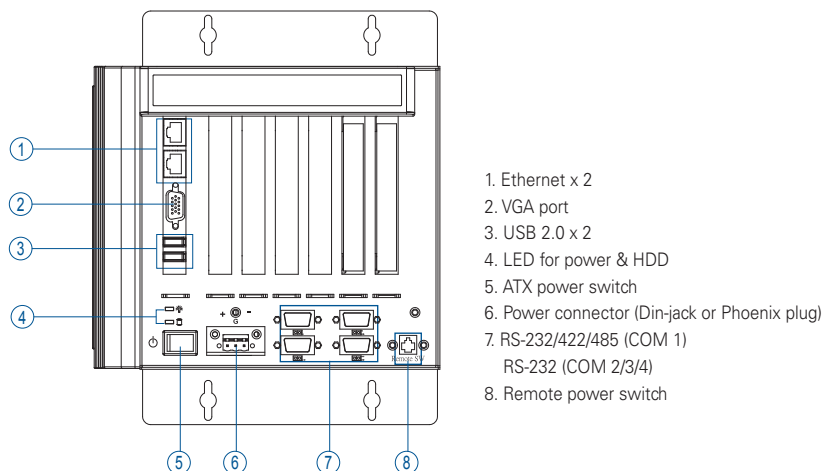
Packing List

19V 150W adapter and US power cord (for AC version)
 Driver CD
 Quick manual
 Wall mount bracket x 2
 Foot pad x 4
 HDD bracket x 2
 Screw pack x 1

Dimensions



Front & Rear Metal Panel I/O Layout



1. Ethernet x 2
2. VGA port
3. USB 2.0 x 2
4. LED for power & HDD
5. ATX power switch
6. Power connector (Din-jack or Phoenix plug)
7. RS-232/422/485 (COM 1)
RS-232 (COM 2/3/4)
8. Remote power switch